

TSTLP[®] SMT-ESE30

EARLY STREAMER EMISSION AIR TERMINAL (ESE)

Characteristics(Delta T)

Efficiency	ΔT	30μs
Standard deviation ESE / Single Rod	σ	$\sigma_{ESE} < 0.6 \sigma_{PTS}$
Lightning current withstanding test requires	I_{imp}	100kA (normative test)
Max. current withstanding (10/350 μ s)	I_{max}	$\geq 200kA$
Approx Net Weight	P	3.0 kg

Start Future From Safety

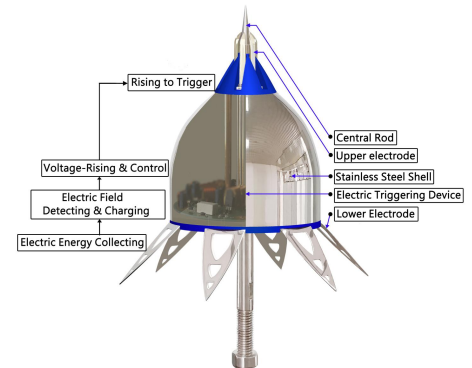
SMT-ESE30



Operating principles

Detection of download leader	Continuous measuring of electric field gradient ($\Delta E/\Delta t$)
Upward streamer development conditions	TSTLP [®] -Smart Technology optimizing the streamer development conditions
Upward streamer emission	Sparking by High Voltage Impulses
Internal circuits	3 Independent working unit
Central rod	Full electrical continuity
Metal housing	Superior Stainless Steel
On-site testing capabilities	Proprietary TSTLP [®] E.S.E. tester
Maintenance	Free (thanks to TSTLP advanced technology & superior material)
Warranty	6 ⁺ YEARS

Operating principles(same as below)



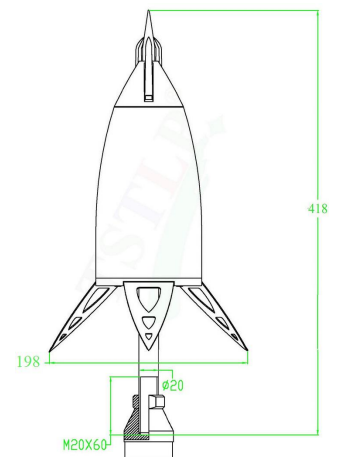
Mechanical Specification

Fixing on pole	M20 Thread
Down conductor connection	Specific clamp (Included)

Packing

Dimensions	230*230*450 mm box/pc, 4pc in 480*500*500mm carton
Contents	TSTLP [®] E.S.E. Head, Nut, Hex key, ESE-Pole Clamp
Approx GrossWeight	4.5 kg
Environmental sustainability	100% recyclable

Dimensions(mm)



Certifications & Standards Compliance

Patent Right	Nr 2013300191363
Reference Standards	NF C 17-102:2011 Annexe C UNE 21.186:2011 Paragraph C UNE-EN 62561 IEC 60060-1:2010 Part 1 EN 60060-1:2010 EN/IEC 62305 GB/T T16927.1-2011 Part 1
CE Marking	Nr WTS16030019S (Ref Standard EN 60060-1:2010)

Download Professional Detailed Catalog @

https://drive.google.com/file/d/1HPkmOGCQOFhBuUa5P_7roeHwfbAfOU4/view?usp=sharing



TS Lightning Protection Co.,Ltd

www.ese-lightningrod.com & www.tsipro.com

Non-contractual document, TSTLP[®] reserves all rights to make changes in technical data, configuration, dimensions, weights & materials.